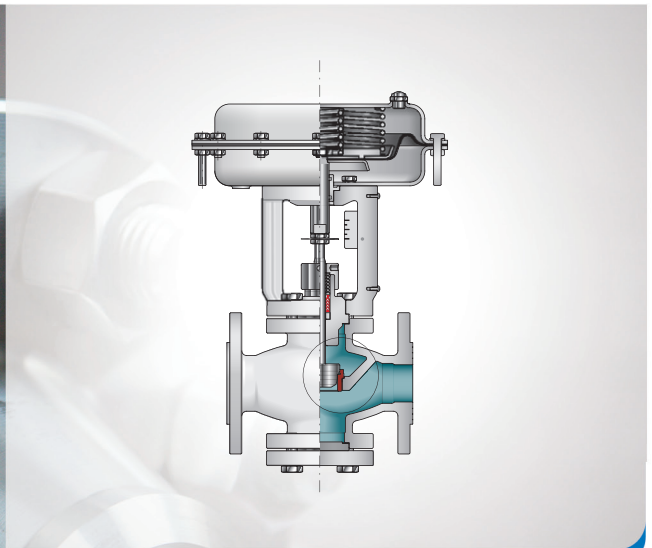


CONTROL VALVE
SERIES VA2011.8
SERIES VA2013.8



version 06/2020

Working: control

- 2V – NC – Normally closed (air open straight way)
- 2V – NO – Normally open (air close straight way)
- 3V – Diverting/Mixing

Size

- DN 15 – DN 100 (1)

Rating

- PN 16 – PN 40

Body material

- Nodular cast iron GS 400-12 (epoxy varnish) PN 16
- Carbon steel ASTM A 216 WCB (epoxy varnish) PN 40
- Stainless steel AISI 316 PN 40

Seat

- Stainless steel AISI 316L

End connections

- Flanges PN 16, PN 40 (2)
- Projection (RF) UNI 2229

Bonnet

- Standard in ASTM A105, AISI 420, AISI 316

Plug

- Equipercutual, linear, V-port, microflow, guided in the upper part.
- AISI 316L with PTFE-PTFE/CG insert (soft seal)
- AISI 316L with insert in high-performance polymer (HPP)
- AISI 316L (metallic seal)

Self-adjusting packing box

- STD - "V" rings in PTFE + graphite ring
- HTS - "V" rings in PTFE + reinforced graphite rings
- LTS - "V" rings in pure PTFE

Castle

- Nodular cast iron GS 400-12 (epoxy varnish)

Servocontrol

- With pneumatic action (max 2,5 bar) direct and reverse
- in stamped plate FE (epoxy varnish)
- Size: S.200, S.275, S.340, S.430
- Standard spring range: 3-15 psi, 6-18 psi, 6-30 psi
- Current equipment: Travel indicator
- Accessories: handwheel for manual control, electropositioner
- pneumatic positioner, endstroke microswitches,
- proximity sensors, reducing filter, converter.

Differential pressure Δp

- See table "Technical Specifications"

Seal class

- According to UNI EN 1349
- Soft - class VI
- Metallic –class IV

Employment limits

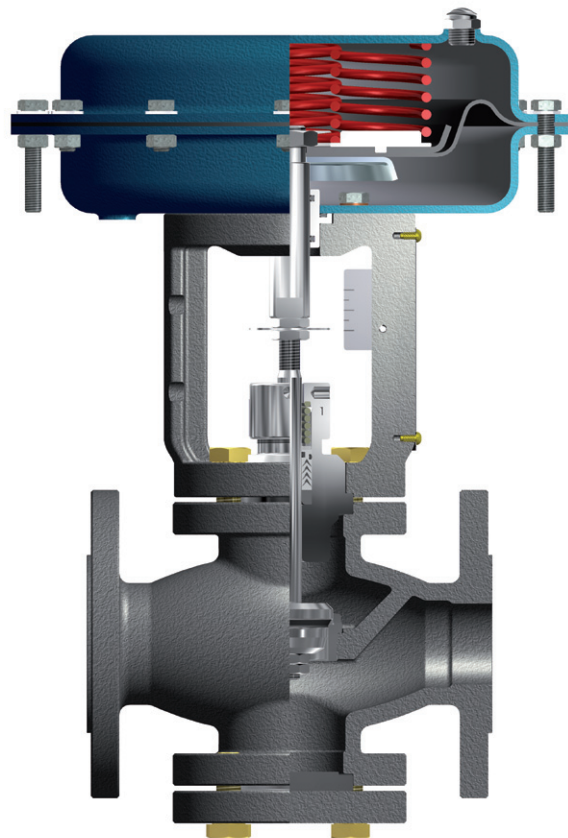
- Body in nodular cast iron: min temp. -5°C , max temp. 180°C
- Body in WCB steel: min temp. -5°C , max temp. 200°C
- Body in AISI 316: min temp. -20°C , max temp. 200°C

Employment fields

- The valves series VA2011.8/VA2013.8, can control different kinds of fluid: steam, overheated water, no-explosive gas, corrosive fluids, etc. For this reason they can be employed in several sectors as: textile dyeing and finishing plants, chemical plants, water-treating, alimentary, general industrial plants.
- Special executions on request.

Notes

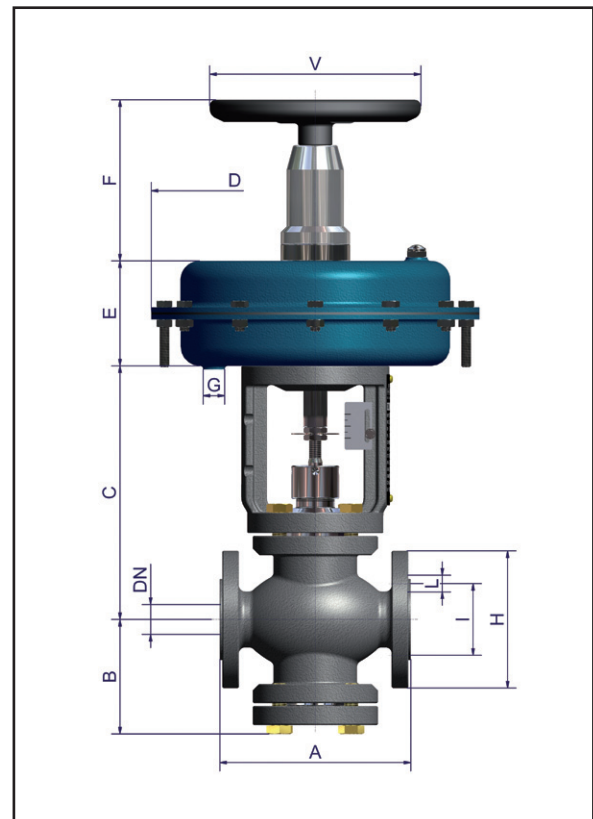
- (1) Greater sizes or reduced CV on request.
- (2) Other end connections on request.



PNEUMATIC CONTROL VALVE - series VA2011.8

The control valves series VA2011.8 have two way globe body with screwed single seat and lower bottom for inspection and plug replacement (reversed version). The plug is guided in its upper part and the self-adjusting packing box does not need maintenance. They are particularly indicated for regulation in medium light plants.

The total dimension of the valve is calculated by inserting the servocontrol size, chosen according to the pressure of the fluid to control.



SERVOCONTROL

DN	15/25	15/50	40/65	50/100
D	200	275	340	430
E	88	88	122	143
G gas	1/8"		1/4"	

HANDWHEEL (option)

D	200	275	340	430
F		135		145
V		175		225

(*) Flanges PN 40 - N.B. Measures are in mm.

TABLE VALVES DIMENSIONS

DN ND	A	B	C	H	I	L	Holes
15	150	96	212	95	65	14	4
20	150	96	212	105	75	14	4
25	160	96	212	115	85	14	4
32	180	96	212	140	100	18	4
40	200	96	212	150	110	18	4
50	230	100	212	165	125	18	4
65	290	136	298	185	145	18	4
							8*
80	310	136	298	200	160	18	8
100	350	158	318	220	180	18	8
				235*	190*	22*	

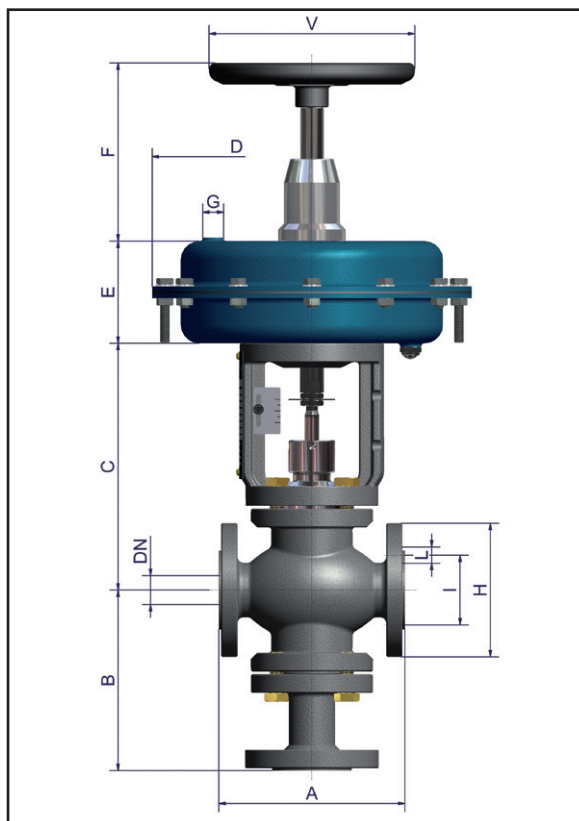
(*) Flange PN 40 - N.B. Measures are in mm.



PNEUMATIC CONTROL VALVE - series VA2013.8

The control valves series VA2013.8 have globe body with screwed seat and third way with welded seat. The V-port plug is guided in its upper part and the self-adjusting packing box does not need maintenance. They are particularly indicated for regulation in medium light plants.

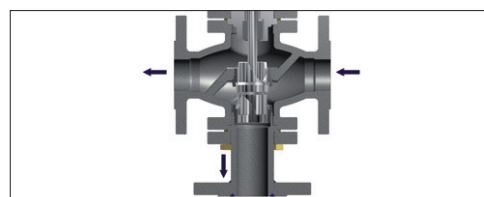
The total dimension of the valve is calculated by inserting the servocontrol size, chosen according to the pressure of the fluid to control.



SERVOCONTROL

DN	15/25	40/65	50/100
D	275	340	430
E	88	122	143
G gas	1/4"		

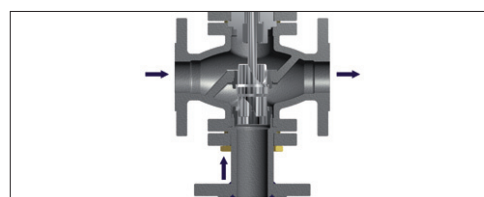
DIVERTING



HANDWHEEL (option)

D	275	340	430
F	135		145
V	175		225

MIXING



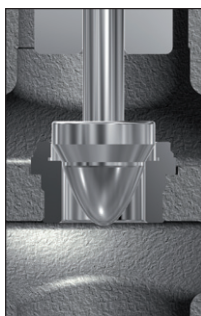
(*) Flanges PN 40 - N.B. Measures are in mm.

TABLE VALVES DIMENSIONS

DN ND	A	B	C	H	I	L	Holes
25	160	155	212	140	85	14	4
32	180	155	212	150	100	18	4
40	200	155	212	165	110	18	4
50	230	165	212	185	125	18	4
65	290	220	298	20	145	18	4 8*
80	310	220	298	165	160	18	8
100	350	240	318	220 235*	180 190*	18 22*	8

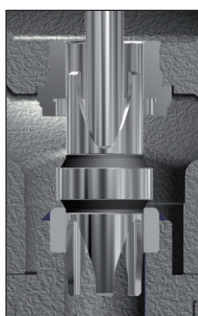
(*) Flange PN 40 - N.B. Measures are in mm.

PLUG SPECIFICATIONS



LINEAR PLUG.

With this type of plug you obtain linearity between stroke and flow rate which results proportional to the opening degree of the valve. It is utilized when there are no important variations in working differential pressure, or in processes with limited flow rate variations.



V-PORT PLUG.

The characteristic curve of this type of plug finds its rightful place between a linear and equipercentage curve with a sensible tendency to this last one. It is utilized principally for the three-way version since its extended shape assures a guided stroke without vibrations.



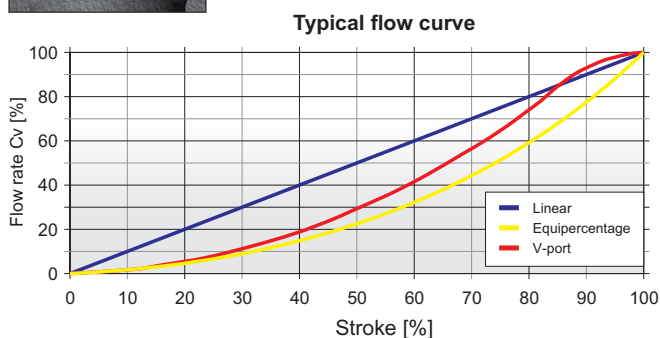
EQUIPERCENTAGE PLUG.

With this plug there is a constant percentage of flow increase for an equal increase in the opening stroke; under the same differential pressure, a stroke increase of 10% usually corresponds to a flow increase equal to 50% of the valve preceding the variation. The result is that the valve delivers the most of the flow rate in its last opening fraction. It is utilized when there are notable variations in flow rate or in differential pressure.

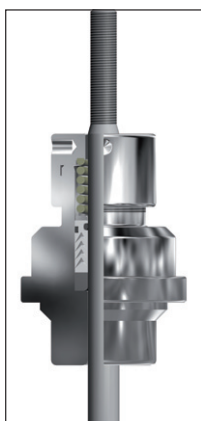


MICROFLOW PLUG.

For this type of plug we have three profiles: linear pin, single spline and doublespline equipercentage. Rate coefficients from CV 0,1 to CV 2, for a fine and precise regulation.

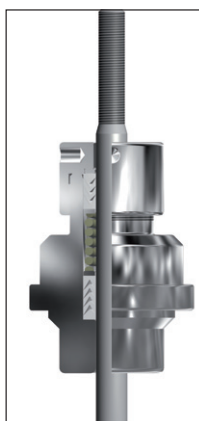


PACKING BOX SPECIFICATIONS



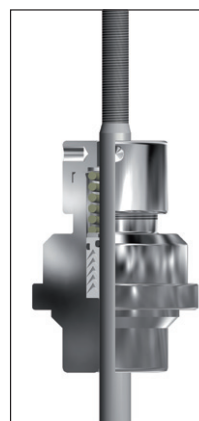
STANDARD PACKING BOX (STD).

Composed of "V" rings in PTFE packing + graphite ring and upper guide with seal. Utilized till 180 °C, combined with soft seal plug.



PACKING BOX FOR HIGH TEMPERATURES (HTS).

Composed of "V" rings in PTFE packing and rings in reinforced graphite packing. Utilized till 200 °C, combined with metallic seal plugs or with high performance polymer.



PACKING BOX FOR LOW TEMPERATURES (LTS).

Composed of "V" rings in PTFE (increased in number) packing and upper guide with seal. Utilized from -20 °C to 180 °C, combined with soft seal plug. Suitable for fluids which are not compatible with graphite.

NECESSARY DATA FOR CORRECT CHOICE OF THE VALVE

Working fluid	Size (DN)
Specific weight/Density (γ)	Nominal pressure (PN)
Fluid temperature in °C	Body shape (2 - 3 way)
Upstream pressure of the valve (bar)	Body material
Differential pressure (Δp)	Valve action (NC - NA)
Maximum flow rate (Q)	Plug specifications
Rate coefficient (CV - KV)	Control signal (psi)

TECNICAL SPECIFICATION

MAX DIFFERENTIAL PRESSURES AT CLOSED VALVE (bar) - AIR TO OPEN ACTION															
DN	STROKE	Cv	Kv	S200			S275			S340			S430		
				Input pressure											
				1.4	2.5	1.4	2.5	1.4	2.5	1.4	2.5				
				Spring range (Bar & Psi)											
				0.2	0.4	0.4	0.2	0.4	0.4	0.2	0.4	0.4	0.2	0.4	0.4
1	1.2	2.1	1	1.2	2.1	1	1.2	2.1	1	1.2	2.1				
3-15 psi	6-18 psi	6-30 psi	3-15 psi	6-18 psi	6-30 psi	3-15 psi	6-18 psi	6-30 psi	3-15 psi	6-18 psi	6-30 psi				
15	20	4	3.5	5.8	13.8	22	15.4	33.1	40						
		2.5	2.1	24.1	40	40	20.2	24.6	40						
20		7	6	5.8	13.8	18	15.4	33.1	40						
		4	3.5	5.8	13.8	22	15.4	33.1	40						
25		2.5	2.1	24.1	40	40	20.2	24.6	40						
		12	10	3.9	9.5	14	10.6	23	40						
		7	6	5.8	13.8	18	15.4	33.1	40						
		4	3.5	5.8	13.8	22	15.4	33.1	40						
32		2.5	2.1	24.1	40	40	20.2	24.6	40						
		18	15.5				5.9	12.9	26.9	10	21.1	30			
		12	10				10.6	23	40	17.9	37.5	40			
		7	6				15.4	33.1	40	25.8	40	40			
40		4	3.5				15.4	33.1	40	25.8	40	40			
		2.5	2.1				20.2	24.6	40	40	40	40			
		28	24				4.1	9.1	19.1	7	15	25			
		18	15.5				5.9	12.9	26.9	10	21.1	30			
		12	10				10.6	23	40	17.9	37.5	40			
		7	6				15.4	33.1	40	25.8	40	40			
50		4	3.5				15.4	33.1	40	25.8	40	40			
		2.5	2.1				20.2	24.6	40	40	40	40			
	48	41				2.3	5.2	11	4	8.6	14	7.1	15	22	
	28	24				4.1	9.1	14.3	7	15	25	12.5	22	30	
	18	15.5				5.9	12.9	19.1	10	21.1	30	17.7	36.6	40	
	12	10				10.6	23	26.9	17.9	37.5	40	31.5	40	40	
65	7	6				15.4	33.1	40	25.8	40	40	40	40	40	
	4	3.5				15.4	33.1	40	25.8	40	40	40	40	40	
	72	61.5							2.4	5.2	9	4.3	9.1	12	
	48	41							4	8.6	14	7.1	15	20	
	28	24							7	15	25	12.5	22	30	
	18	15.5							10	21.1	30	17.7	36.6	40	
80	105	90							1.9	4.2	5.5	3.5	7.4	9	
	72	61.5							2.4	5.2	9	4.3	9.1	12	
	48	41							4	8.6	14	7.1	15	20	
	28	24							7	15	25	12.5	22	30	
100	160	136							1	2.3	3.6	1.9	4	5	
	105	90							1.9	4.2	5.5	3.5	7.4	9	
	72	61.5							2.4	5.2	9	4.3	9.1	12	
	48	41							4	8.6	14	7.1	15	20	
	28	24							7	15	25	12.5	22	30	

= Standard

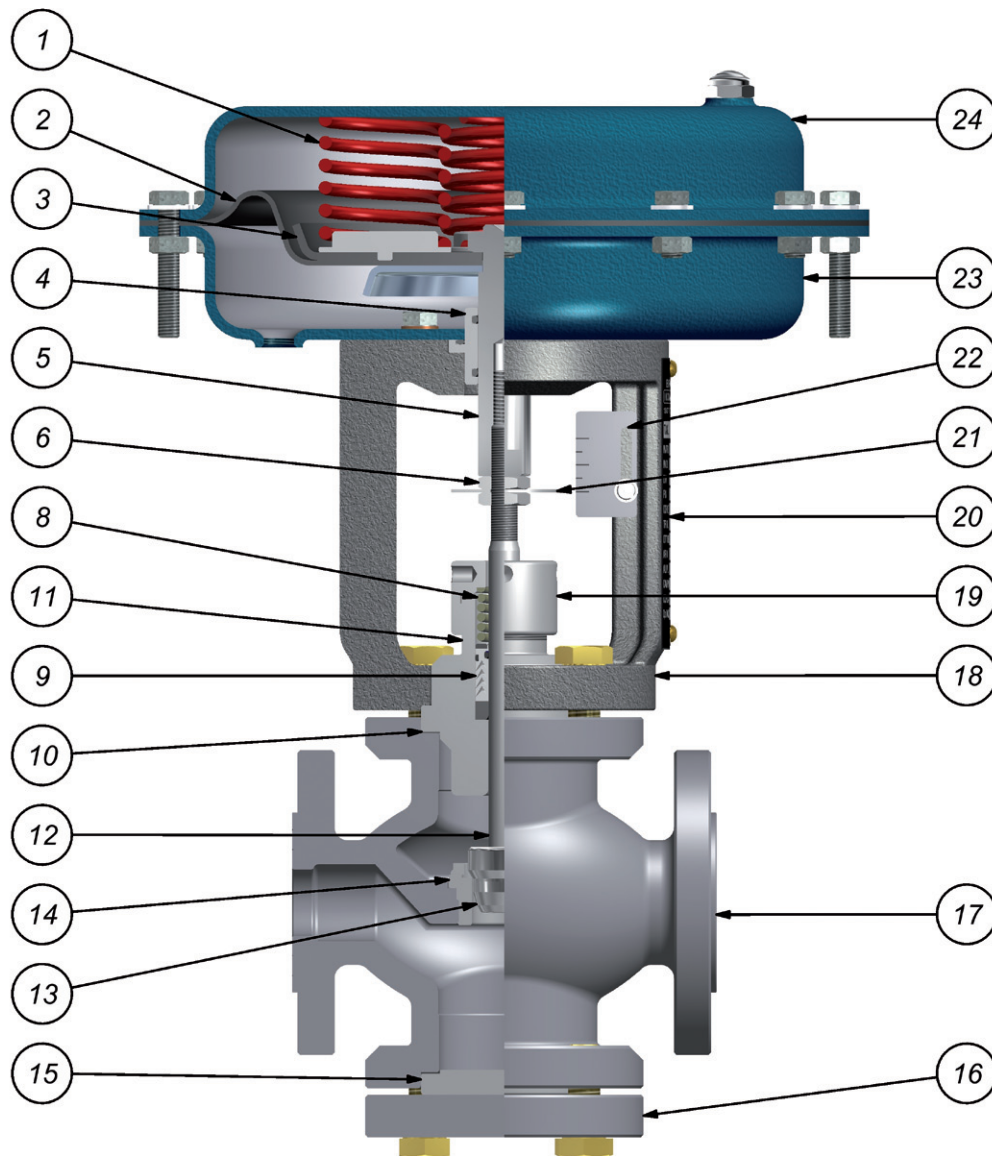


TECNICAL SPECIFICATION

MAX DIFFERENTIAL PRESSURES AT CLOSED VALVE (bar) - AIR TO CLOSE ACTION															
DN	STROKE	Cv	Kv	S200			S275			S340			S430		
				Input pressure											
				1.2	1.4	3	1.2	1.4	3	1.2	1.4	3	1.2	1.4	3
				Spring range (Bar)											
				0.2-1											
				Spring range (Psi)											
3-15															
15		4	3.5	5.8	13.8	40	15.4	33.1	40						
		2.5	2.1	24.1	40	40	40	40	40						
20		7	6	5.8	13.8	40	15.4	33.1	40						
		4	3.5	5.8	13.8	40	15.4	33.1	40						
25		2.5	2.1	24.1	40	40	40	40	40						
		12	10	3.9	9.5	40	10.6	23	40						
		7	6	5.8	13.8	40	15.4	33.1	40						
		4	3.5	5.8	13.8	40	15.4	33.1	40						
32	20	2.5	2.1	24.1	40	40	40	40	40						
		18	15.5				5.9	12.9	40	10	21.1	40			
		12	10				10.6	23	40	17.9	37.5	40			
		7	6				15.4	33.1	40	25.8	40	40			
		4	3.5				15.4	33.1	40	25.8	40	40			
		2.5	2.1				40	40	40	40	40	40			
40		28	24				4.1	9.1	40	7	15	40			
		18	15.5				5.9	12.9	40	10	21.1	40			
		12	10				10.6	23	40	17.9	37.5	40			
		7	6				15.4	33.1	40	25.8	40	40			
		4	3.5				15.4	33.1	40	25.8	40	40			
		2.5	2.1				40	40	40	40	40	40			
50		48	41				2.3	5.2	28.4	4	8.6	36.1	7.1	15	40
		28	24				4.1	9.1	40	7	15	40	12.5	22	40
		18	15.5				5.9	12.9	40	10	21.1	40	17.7	36.6	40
		12	10				10.3	23	40	17.9	37.5	40	31.5	40	40
		7	6				15.4	33.1	40	25.8	40	40	40	40	40
		4	3.5				15.4	33.1	40	25.8	40	40	40	40	40
65	30	72	61.5							2.3	5.1	22	4.3	9	40
		48	41							4	8.6	36.1	7.1	15	40
		28	24							7	15	40	12.5	26	40
		18	15.5							10	21.1	40	17.7	36.6	40
		105	90							1.8	4.2	18	3.4	7.4	38.6
		72	61.5							2.3	5.1	22	4.3	9	40
80		48	41							4	8.6	36.1	7.1	15	40
		28	24							7	15	40	12.5	26	40
		160	136							1	2.2	10	1.9	4	21.4
		105	90							1.8	4.2	18	3.4	7.4	38.6
100	35	72	61.5							2.3	5.1	22	4.3	9	40
		48	41							4	8.6	36.1	7.1	15	40
		28	24							7	15	40	12.5	26	40
		28	24							7	15	40	12.5	26	40

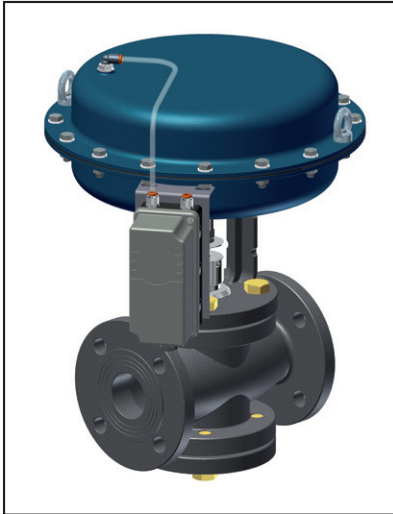
= Standard

VALVE PARTS NOMENCLATURE



1	Spring	13	Plug
2	Membrane	14	Seat
3	Membrane disc	15	Bottom
4	Stem guide	16	Flange/Third way
5	Servocontrol stem	17	Valve body
6	Regulation nut	18	Castle
7	Upper guide	19	Packing box nut
8	Packing box spring	20	Data plate
9	Packing box	21	Position indicator
10	Gasket	22	Stoke plate
11	Bonnet	23	Lower head
12	Stem plug	24	Upper head

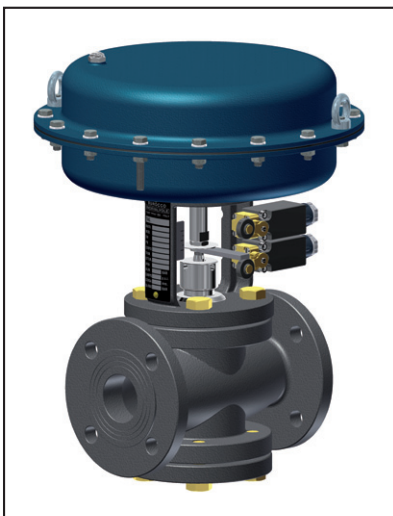
ACCESSORIES



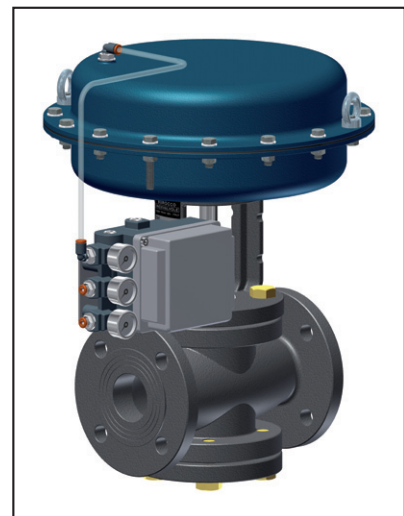
ELECTROPNEUMATIC CONVERTER

PNEUMATIC POSITIONER
AND REDUCING FILTER

HANDWHEEL



LIMIT MICROSWITCHES



ELECTROPNEUMATIC POSITIONER

WARNING

Before starting the plant the pipes must be cleaned carefully with the fluid pressure at maximum and the valve fully open. It is advisable to place a filter on the valve inlet to prevent foreign objects from entering between the seat and the valve plug. (We recommend to utilize filtered, dry air to feed the pneumatic servocontrol). The best fitting position of the valve is in vertical, and its best working is when the flow direction is opposite to the valve plug (see the arrow on the body valve). After some hours of full working at temperature, check the correct lock of the screws of the body valve. Verify that with valve fitted on the plant a sufficient space is left for removing the servocontrol for maintenance operations. Before removing the servocontrol check that there is no fluid in pressure and at temperature in the plant and set the valve in opening position. In case of a complete dismantling of the servocontrol use proper instruments and proceed with attention to discharge springs tension. **IMPORTANT: do not insert hands, tools or other objects inside the valve body.**







VALVEA s.r.o.

Sídlo firmy:

Oldřichovice 1044
739 61 Třinec
Česká republika
tel.: +420 558 321 088
email: info@valvea.eu
web: www.valvea.eu